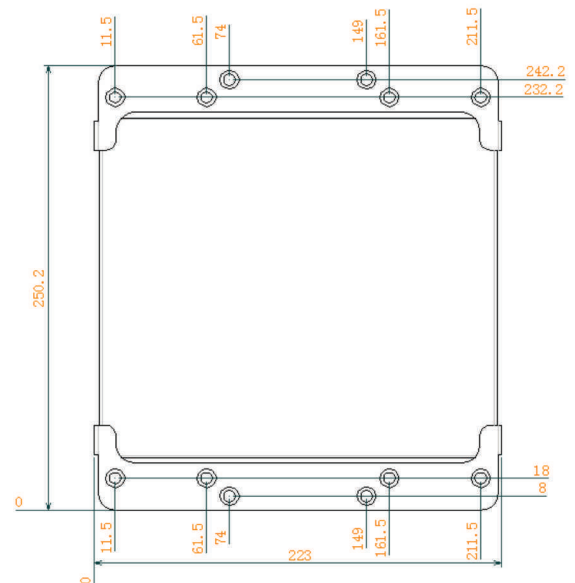




## Specification

Model	<b>T3I0035-1</b>
System	Compact Mini ITX System, Intel® Celeron® N2930 on-board SoC, 2* LAN ( Max. upto 4 * Lan ) Long Term Support, with flexible I/O Panel
Chassis	IT301 (T3 Filet Case) Stylish Black w ith optional FAN, PWR / HDD Led 2* 2,5 Drive Bay
Mainboard	KINO-DBT-N28071R 0
CPU	Intel® Celeron® N2807 on-board SoC (1.58GHz, dual-core, 2MB cache, TDP=4.5W)
Memory	4GB (2x2) DDR3L SODIMM Default, ( 8 GB max)
Display	Intel® HD Graphics Gen 7 Engines w ith 4 execution units, supporting DX11.1, OpenGL 4.2 and DVI-D (up to 2560x1600 @ 60 Hz) VGA (up to 1920x1200 @ 60 Hz)
Ethernet	Dual Realtek RTL8111E PCIe GbE controller Dual LAN via Intel 82583V x 2 (MEC-Lan-002)
Audio	Realtek ALC662 HD codec supports 5.1 channel
Digital I/O	8-bit digital I/O (2x5 pin)
Front I/O	Audio Line IN/OUT, 2* USB 2.0 Type A
Rear I/O	2* RS232 DB9, VGA, DVI-D, 2 ( Max. 4 ) * RJ45 GbE, 2* USB 2.0, 2* USB 3.0, Line IN/OUT
on Board	TPM, SMBUS (4pin), Digital I/O (2*5pin), PS/2, USB2.0 (2,0mm), 1* Mini PClex1 w / mSATA
Watch Dog	Softw are programmable, support 1~255 sec. system reset
Power	4pin 12VDC via 84Watt AC/DC Adapter 90-230V AC
Dimension	W218 x D 210 x H 65 mm
Weight	2,05KG w ithout Pow er Adapter / Mounting Kits

## Wall Mount Drawing



<b>Optional Parts</b>	T23WVK, Wall mount need 2 pcs / half Vesa mount only 1 pcs
	SLIM DVDRW or 2nd 2.5" SATA HDD
	F2X410 2* 40mm FAN
	mSATA SDD (Colay with mPCIe port) Bluetooth, W-LAN, WIFI, 3G, 4G Modem, SIM, GPS via mPCIe Slot, VGA / DVI, DP-DP, DP-DVI, DP-HDMI, DP-VGA
	1* MEC-LAN-002 Dual GbE µPCIe Card

### Packing List

- 1\* T3I0035-1 ITX System, Intel® Celeron® N2907 on-board SoC, 2x2GB RAM, 500GB SATA HDD
- 1\* AD84M4PP24 12V pin Pow er Adapter 90-230V AC, EU Pow er Cord
- 1\* Driver / Utility DVD, ONEKEY Recovery DVD
- 2\* Stand for Vertical Desktop use